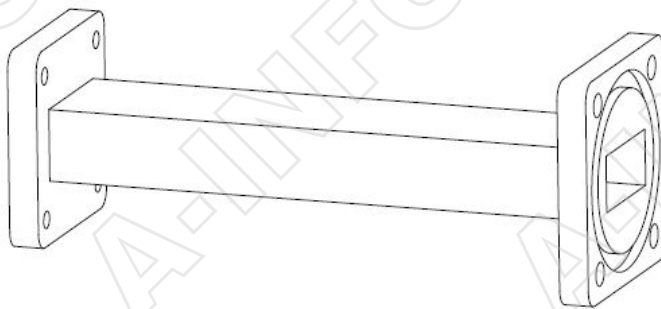
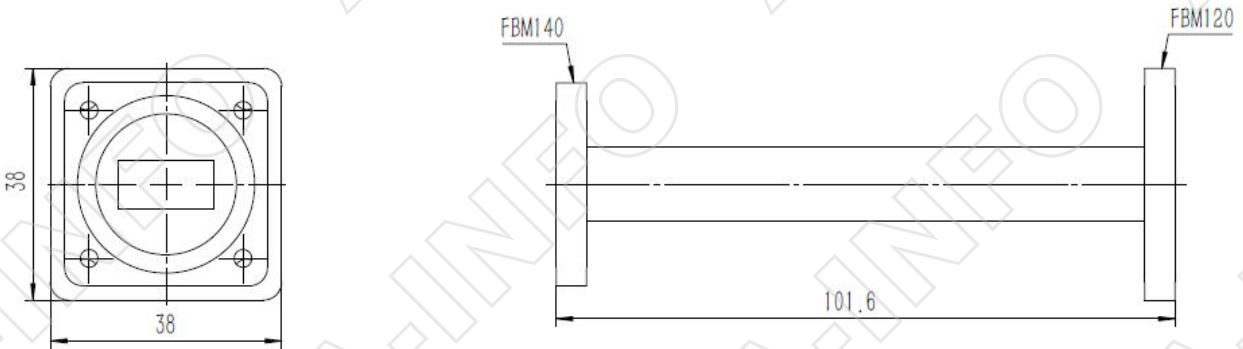


Technical Specification

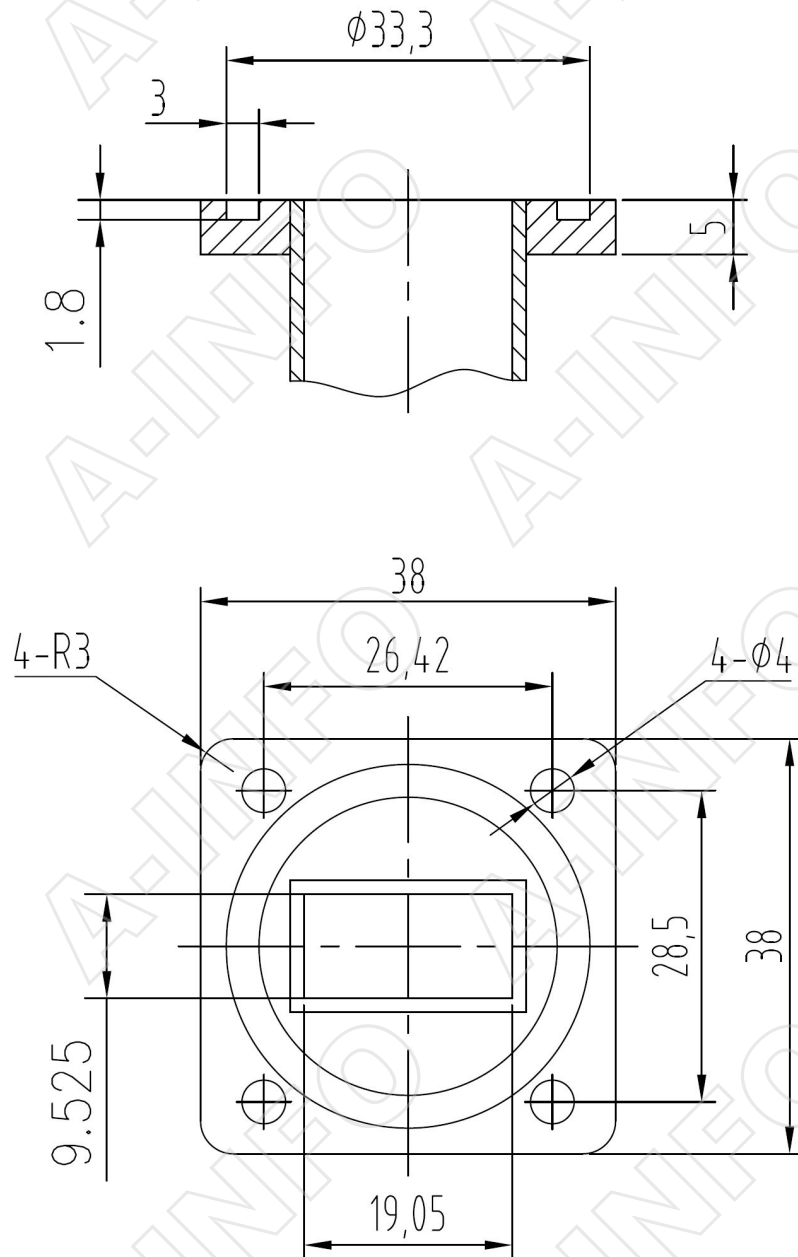


EIA WR to WR	WR75 to WR62
Frequency Range(GHz)	12.4 - 15.0
VSWR	1.08:1 max
WR Flange	FBM120
WR Flange	FBM140
Material	Cu
Size(mm/inch)	101.6 / 4
Net Weight(Kg)	0.18 Around

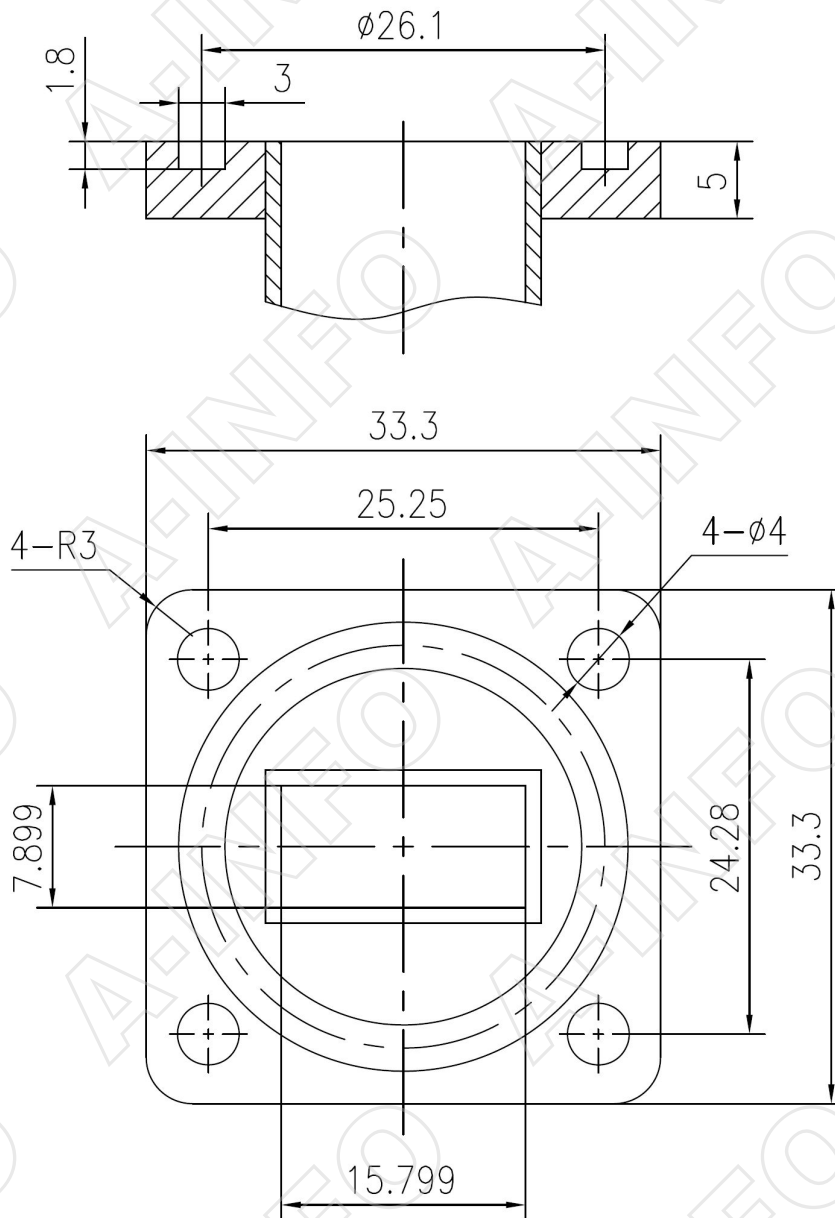
Outline Drawing (Size: mm)



Outline Drawing (Size: mm)



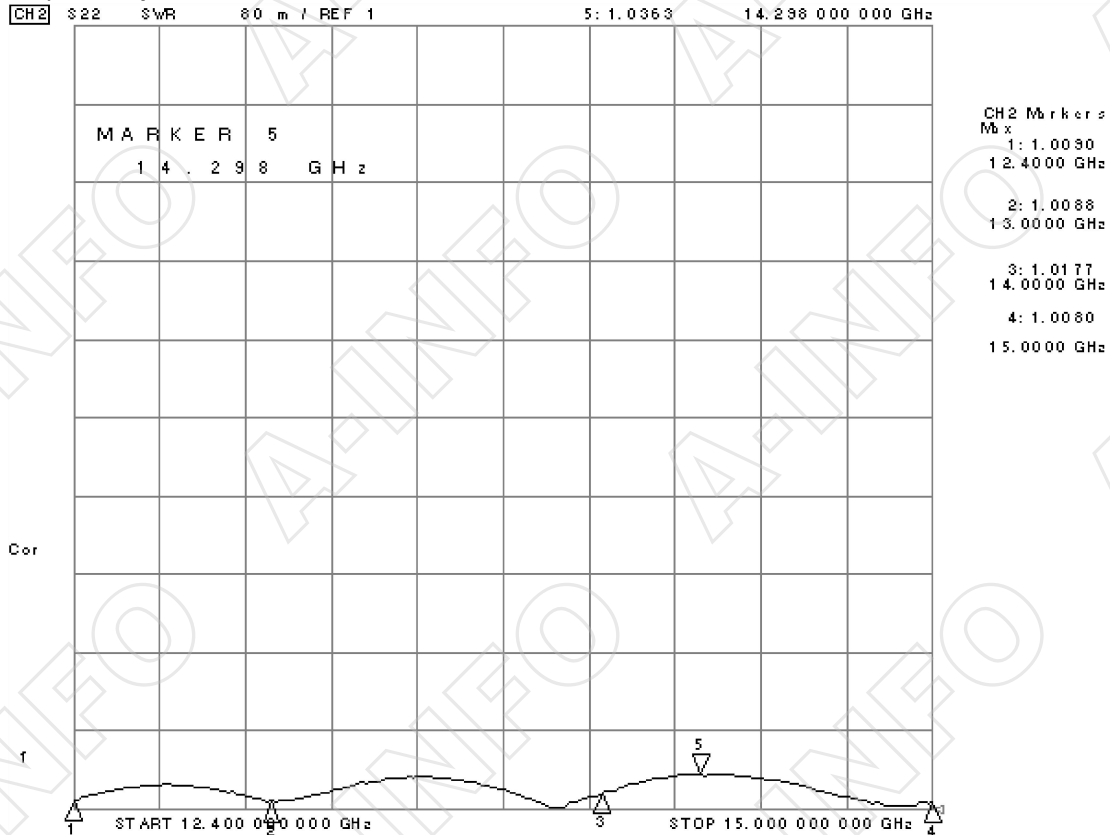
FBM120



FBM140

Test Results

VSWR (WR75)



VSWSR (WR62)

